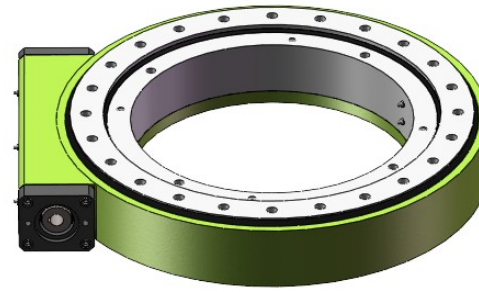
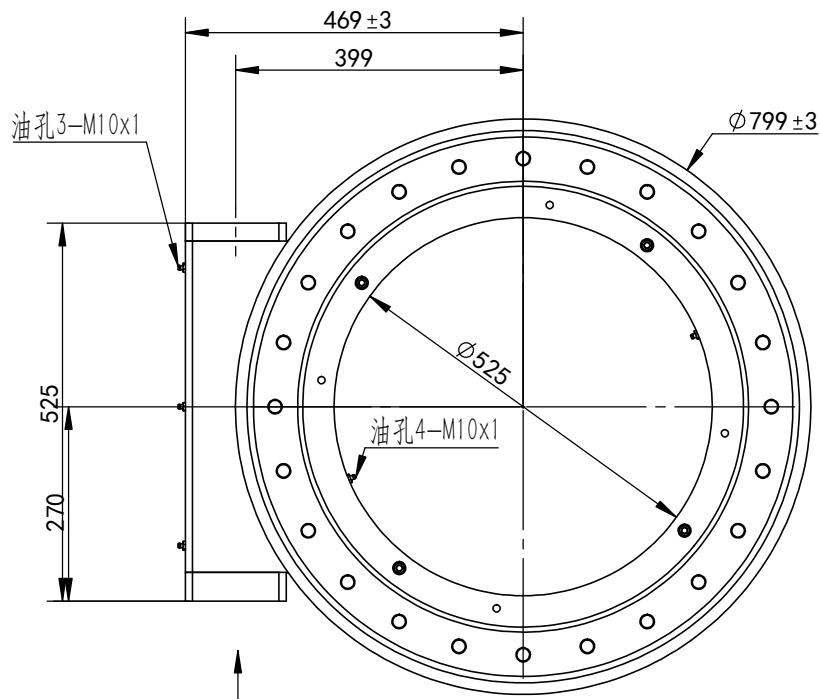
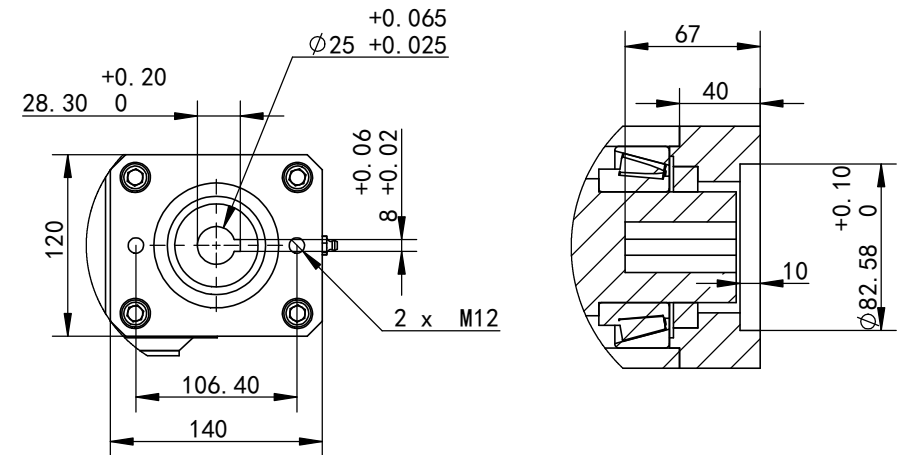
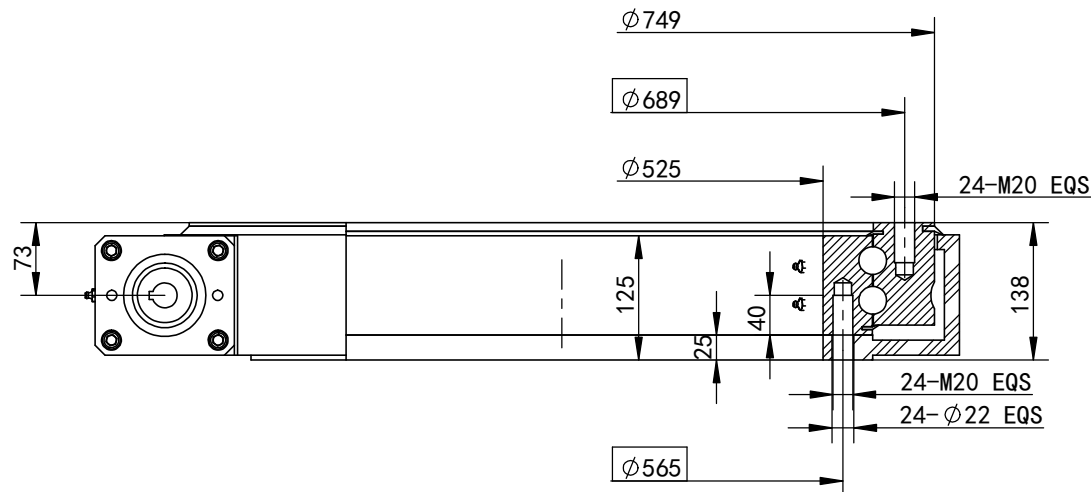

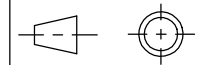


M	7
Z1	1
Z2	104
i	104.0
材质: 42CrMo Q+T	



输入端



REV	DATE	REVISER	DESCRIPTION			
DESIGNED BY	Lee	22.08.25	 <b>不二传动设备 (洛阳) 有限公司</b> www.U-Transmission.com	<b>回转式减速器</b>		
CHECKED BY	Bailey	22.08.25				
APPROVED BY	Lane	22.08.25				
DRAWING REV	NO.	REV.A	WEIGHT	262kg	Title	回转式减速器
NON-STANDARD	NO.	xxxx	SACLE	1:3	Model No.	
SYMBOLS ISO			SIZE	A3	Model No.	WZ-III-0625-25-1-104.0 -E-xxxx-A
			SHEET	1/1		